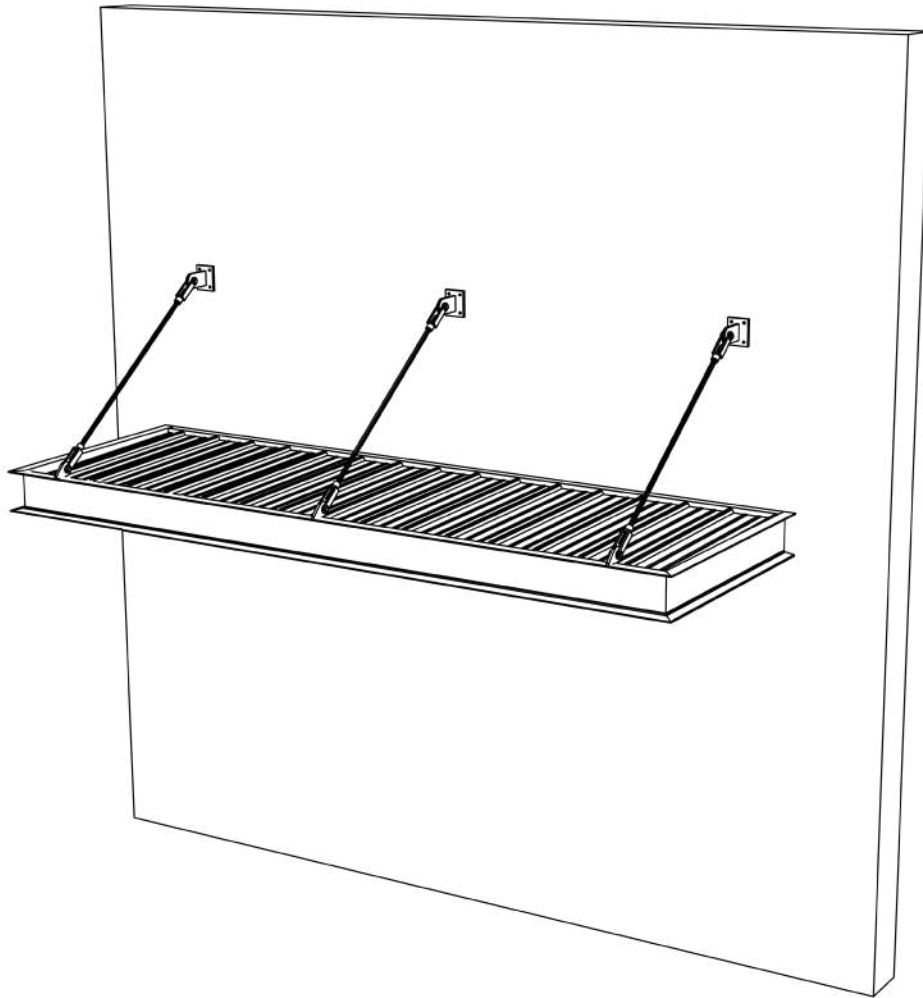
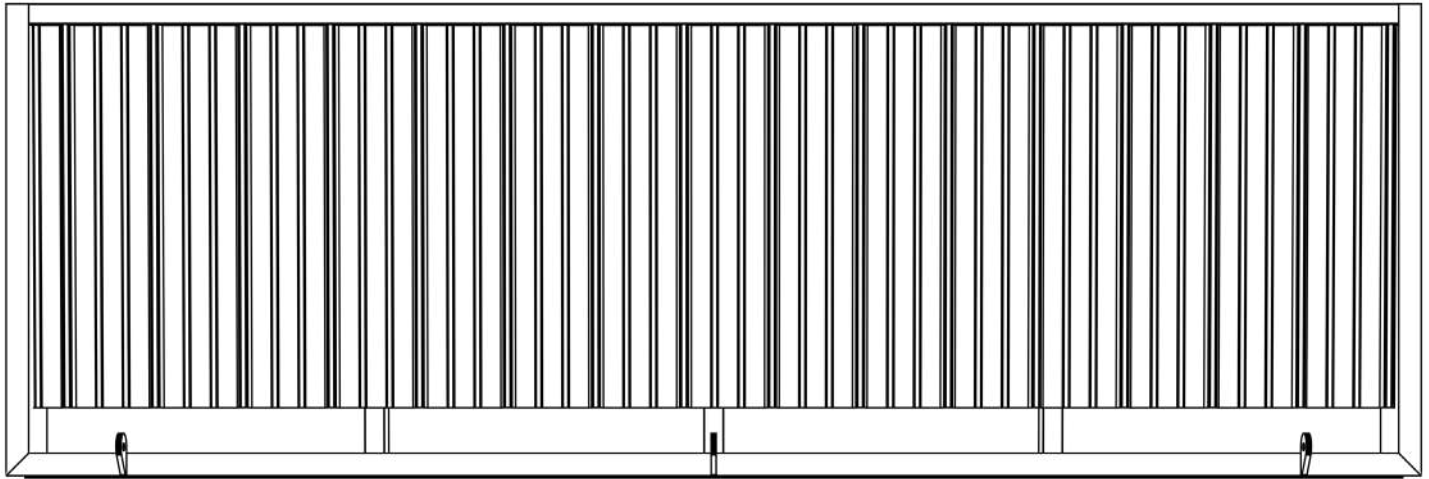


Canopy Installation Guide



Parts List

Canopy

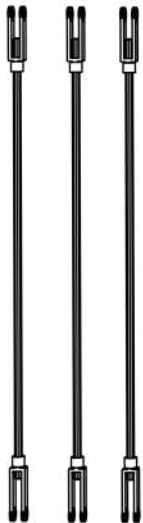


Pac-Man

Pac-Man

Pac-Man

Tie-Rods



Yoke-Ends

Allthread

Knifeplates

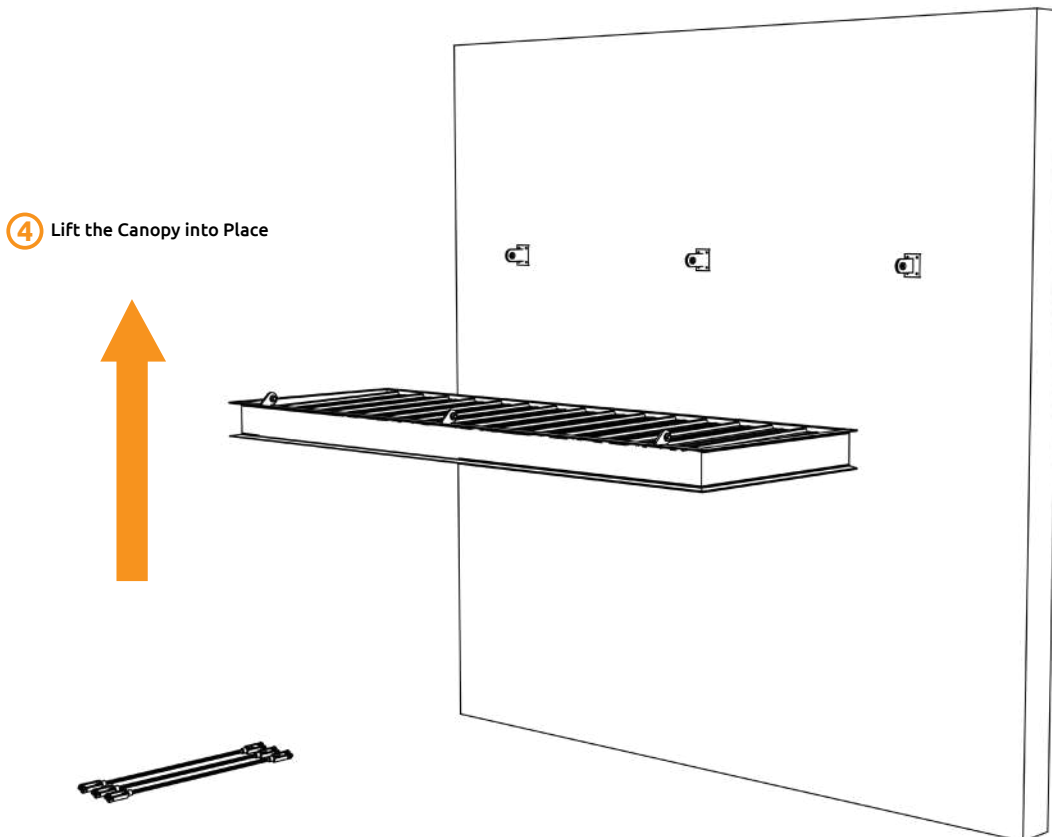
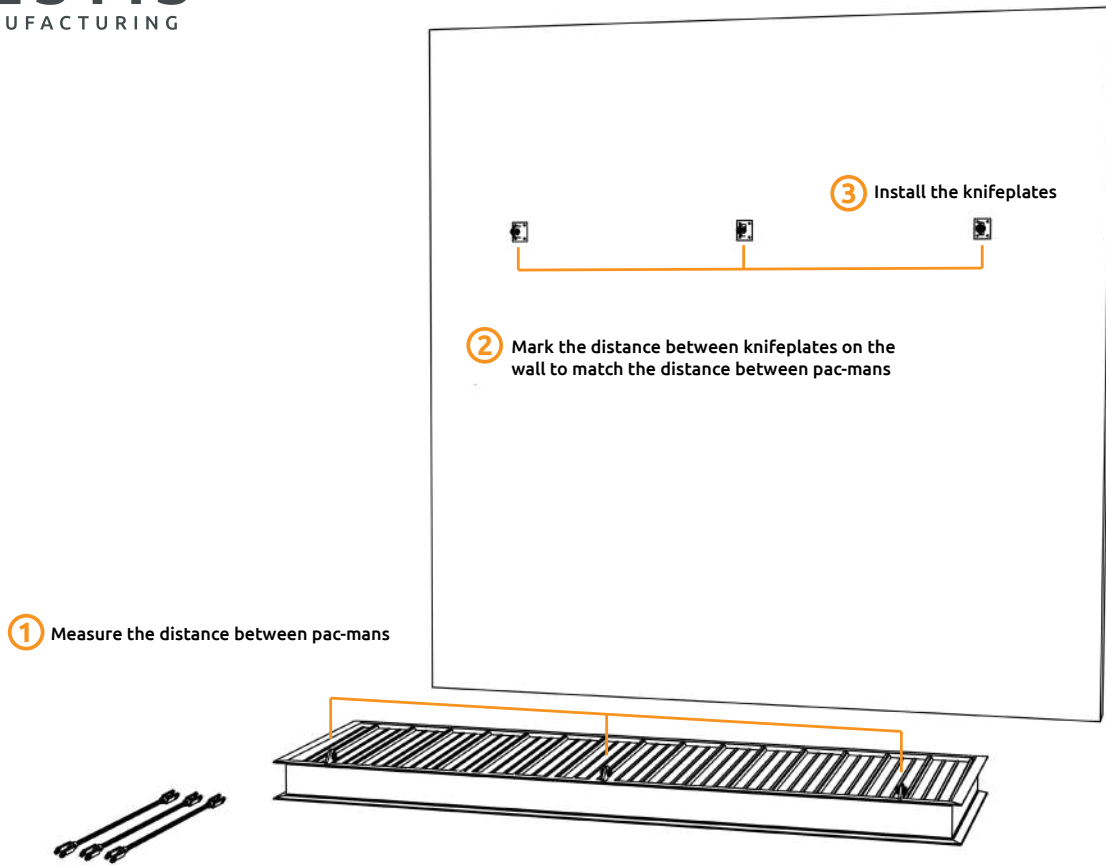


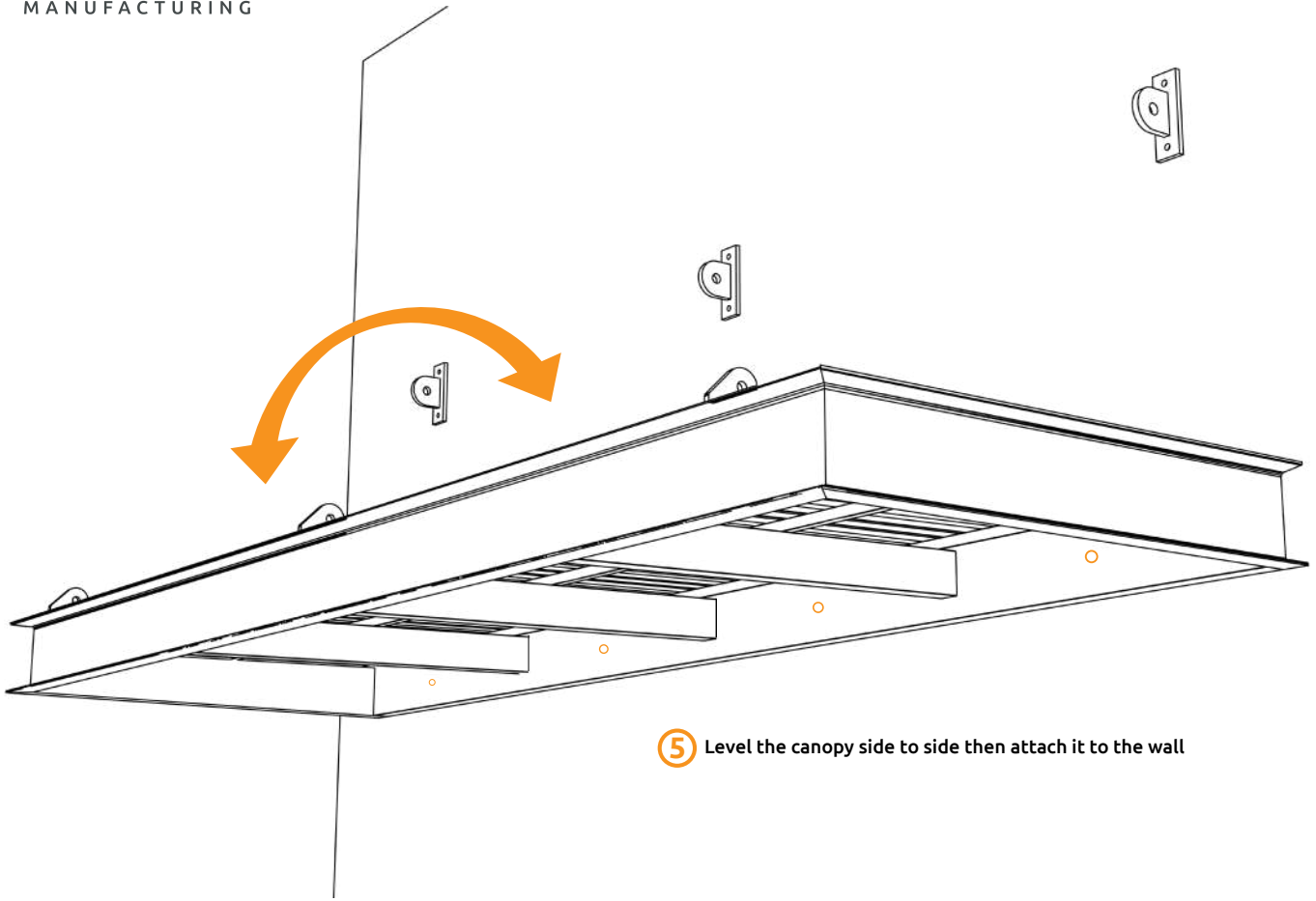
Clevis Pins



Not Included

*Mounting Hardware
Wire Brush
Level*



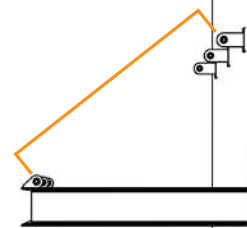


⑤ Level the canopy side to side then attach it to the wall

⑥ Level the Canopy front to back



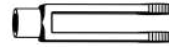
⑦ Measure the distance between the hole of the knifeplate and the hole of the pac-man



- 8 Measure the distance between the holes of each yokend to match the distance from pac-man to knifeplate. Mark a cutline on the allthread.



- 9 Cut the allthread to length, leaving a margin for adjustment



- 10 Use a wire brush to clean the cut end



- 11 Screw on the yoke-end

